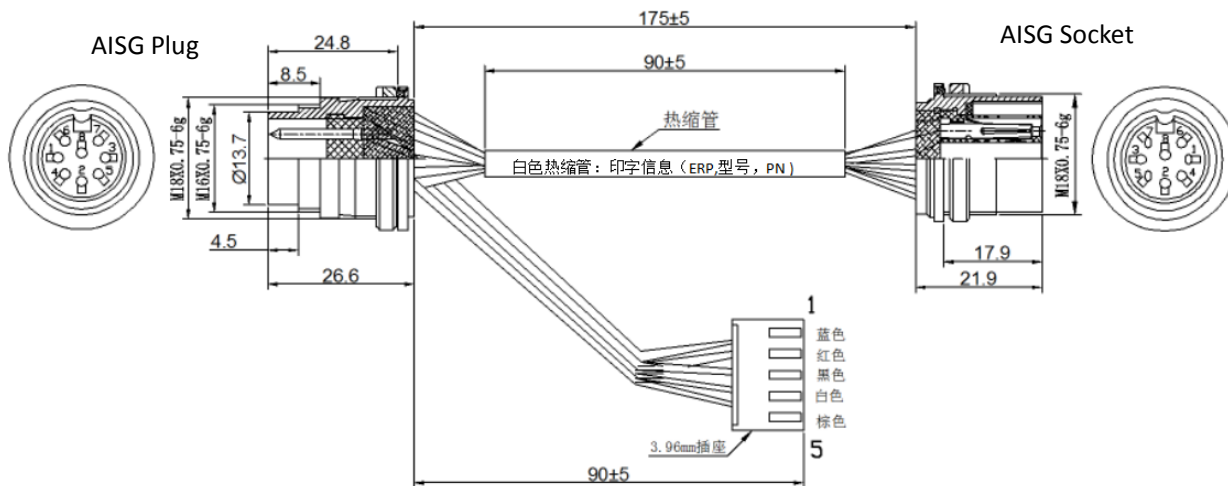


BEDE-AISG-CH-175mm Technical Data Sheet Cable assembly

Cable structure



Wiring table

colour	AISG Plug	AISG Socket	3.96 Socket
blue	1	1	3
wihte	3	3	4
brown	5	5	5
red	6	6	2
black	7	7	3

Cable assembly

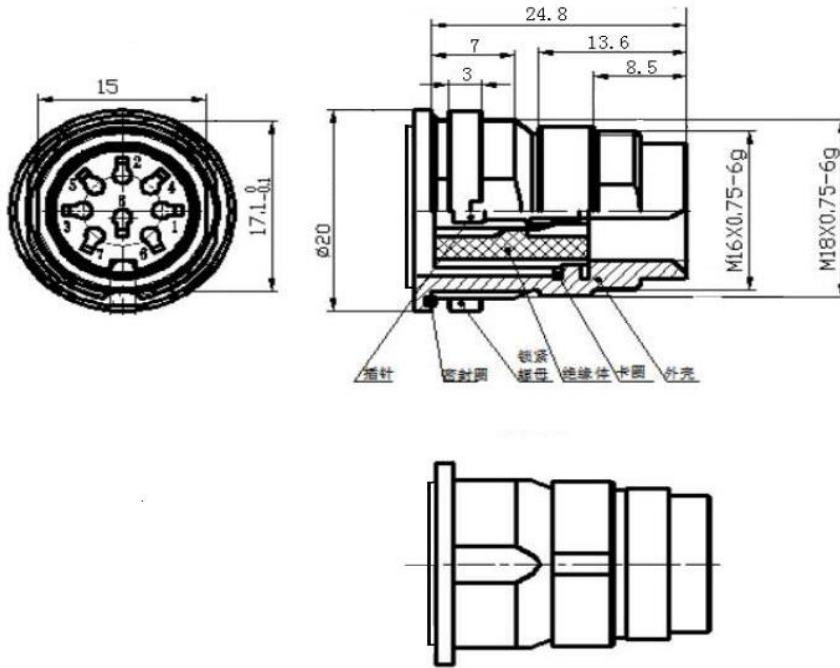
Cable component list

NO.	Model	Name	Qty	unit
1	AISG Connector Plug	Connector	1	PCS
2	UL1007 22# Wire	Cable	5	/
3	AISG Connector Socket	Connector	1	PCS
3	∅6 Thermal Casing	Thermal Casing	90	mm
4	3.96mm Connector Plug	Connector	1	PCS

Performance Parameter Of Cable Assembly

NO.	Category	Parameter
1	Length	175mm
2	Rated Current	5A
3	Rated Voltage	100V
4	Withstand Voltage	AC 500 V/1min
5	Insulation Resistance	≥ 100MΩ
7	Termination Cable Retention	≥100N
8	Life Time	500 次
9	Operating temperature	-40℃ ~ 85℃
10	Protection level	IP65

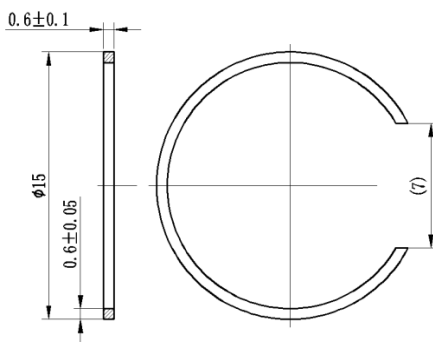
AISG Plug



Shell

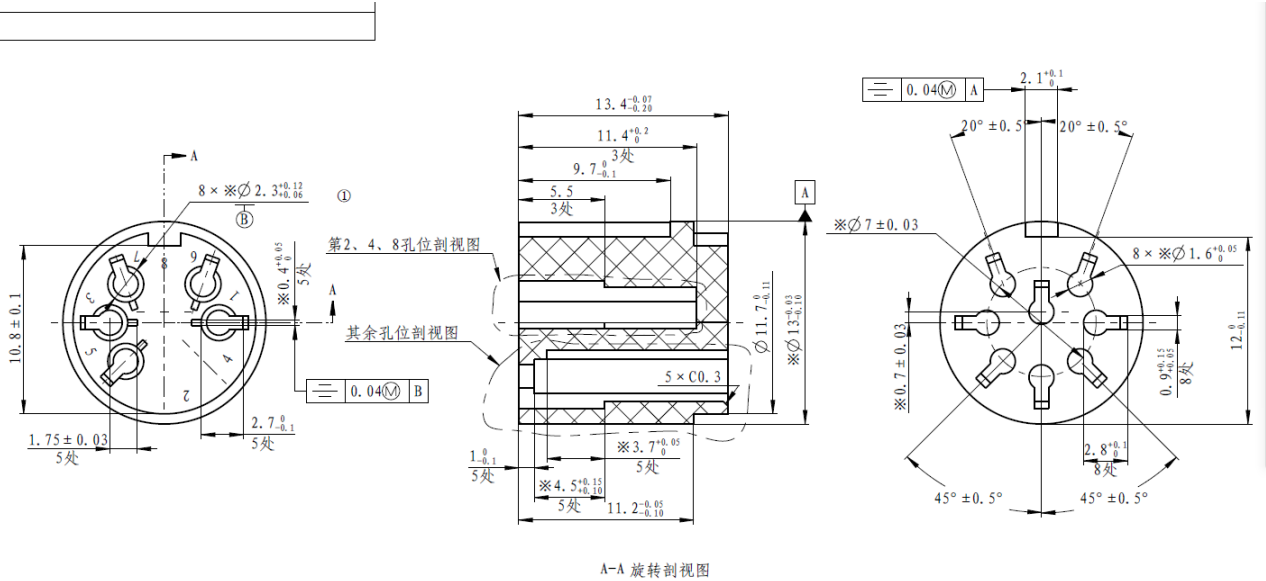
No	Category	Content	Remarks
1	Material	HPb59-1 Brass	mechanical
2	Treatment Process	Nickel plating	5um
3	Neutral Salt Spray	168 Hours	

Collar



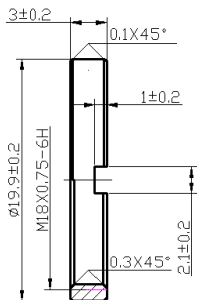
No.	Category	Content	Remarks
1	Material	Tin Bronze	Mechanical
2	Treatment Process	Nickel Plating	
3	Neutral Salt Spray	168 Hours	

Plastic core



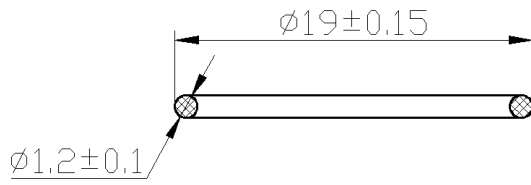
No	Category	content	Remarks
1	Material	PBT	UL94V-0
2	Process	Injection Molding	/
3	Colour	Black	/

Fixing Nut



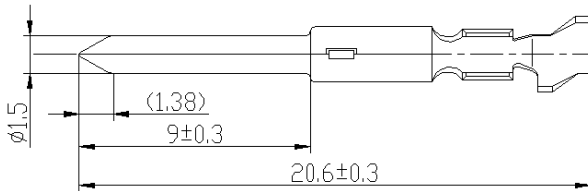
No	Category	Content	Remarks
1	Material	HPb59-1 Brass	mechanical
2	Treatment Process	Nickel plating	5um
3	Neutral Salt Spray	168 Hours	

Seal Ring



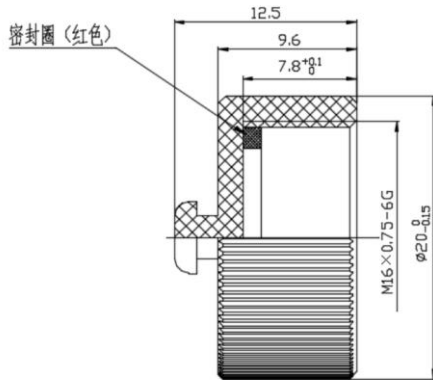
No.	Category	Content	Remarks
1	Material	Silicone Rubber	/
2	Treatment Process	Injection Molding	/
3	Colour	Black	/

Pin



No.	Category	Content	Remarks
1	Material	Tin Bronze	mechanical
2	Treatment Process	Gold Plating	3u"
3	Neutral Salt Spray	96 Hours	

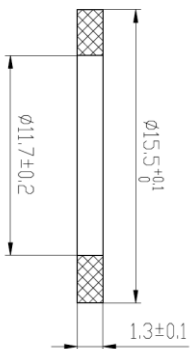
Dust cover



Tolerance ± 0.5 mm

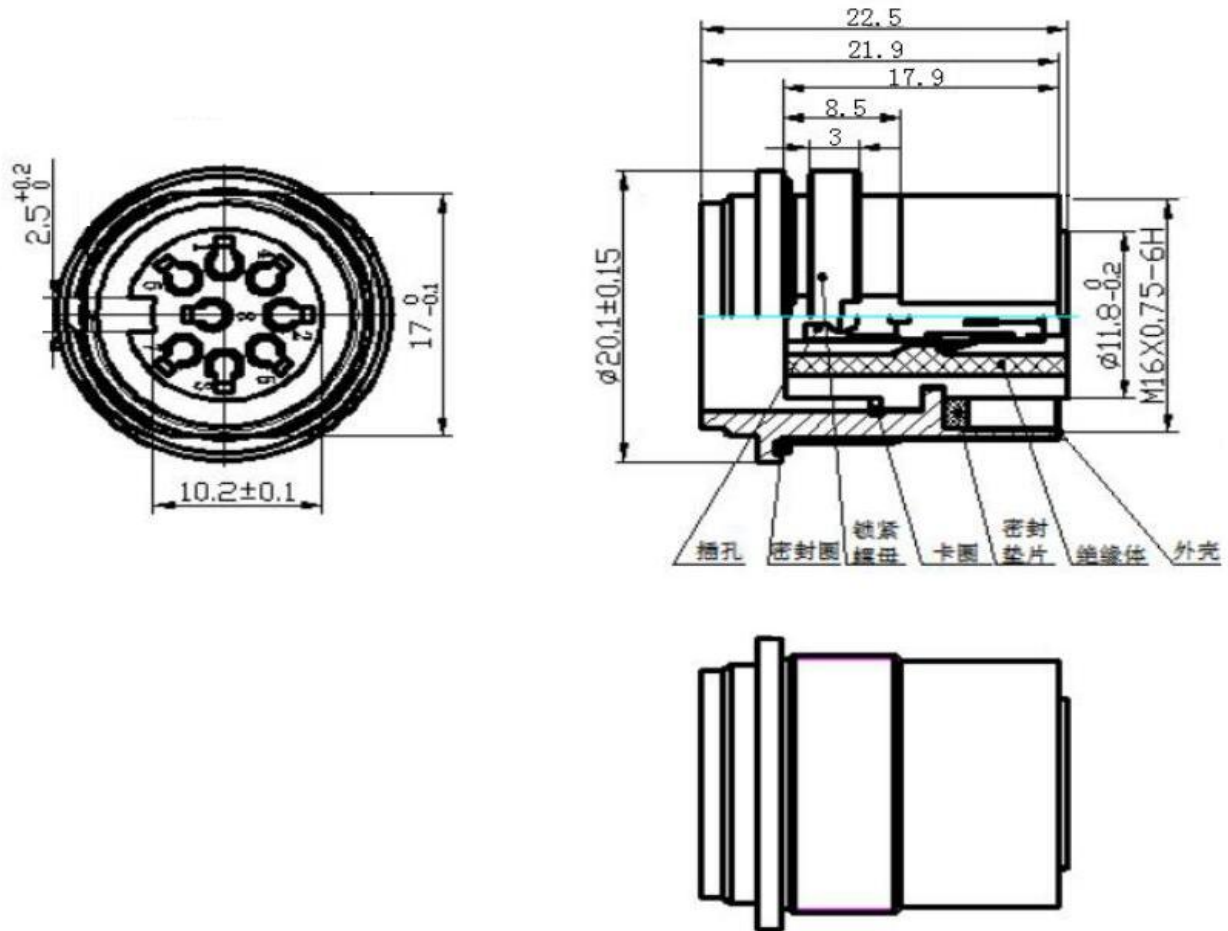
No.	Category	Content	Remarks
1	Material	PA66	UL94V-0
2	Treatment Process	Injection Molding	
3	Colour	Black	

Seal



No.	Category	Content	Remarks
1	Material	Nickel Plating	/
2	Treatment Process	Injection Molding	/
3	Colour	Red	/

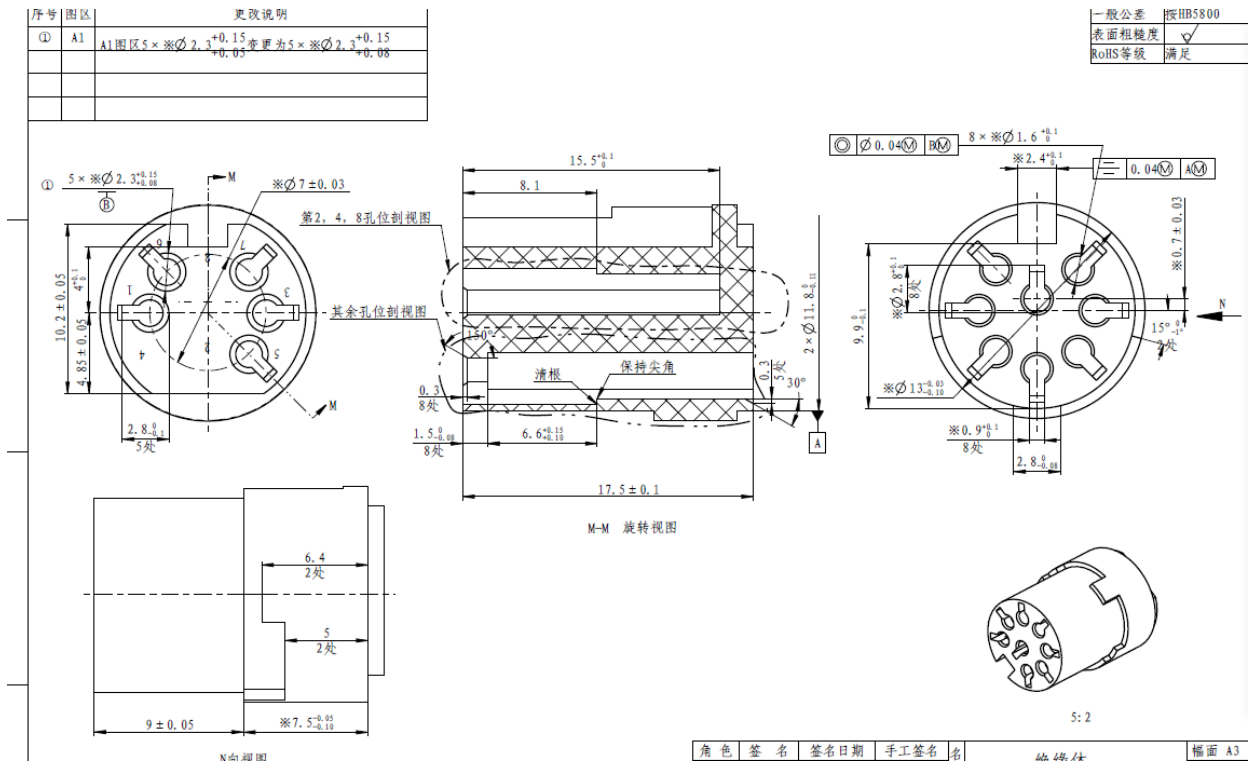
AISG A Socket



shell

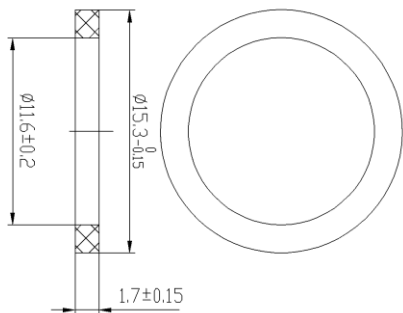
No	Category	Content	Remarks
1	Material	HPb59-1 Brass	mechanical
2	Treatment Process	Nickel plating	5um
3	Neutral Salt Spray	168 Hours	

Plastic core



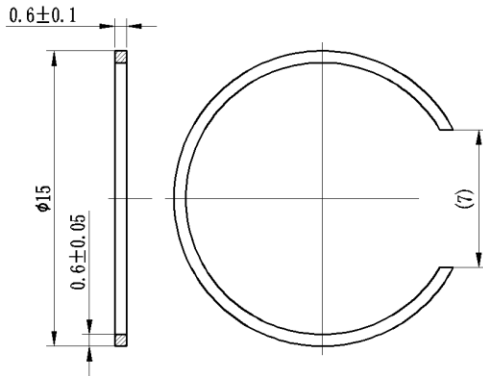
No	Category	content	Remarks
1	Material	PBT	UL94V-0
2	Process	Injection Molding	/
3	Colour	Black	/

Gasket



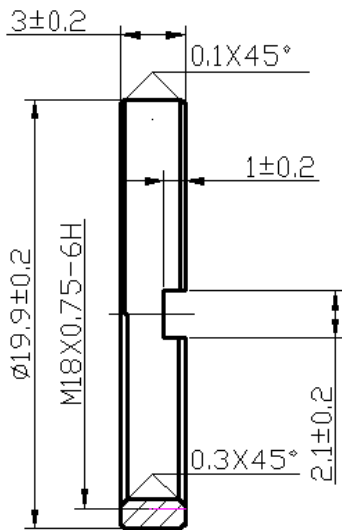
No.	Category	Content	Remarks
1	Material	Nickel Plating	/
2	Treatment Process	Injection Molding	/
3	Colour	Black	/

Locating Ring



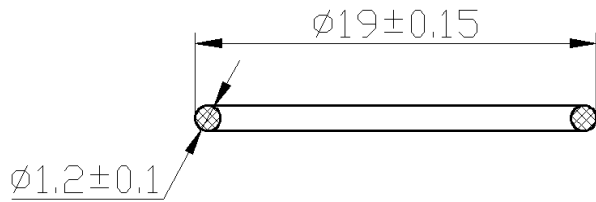
No.	Category	Content	Remarks
1	Material	Tin Bronze	Mechanical
2	Treatment Process	Nickel Plating	/
3	Neutral Salt Spray	168 Hours	/

Fixing Nut



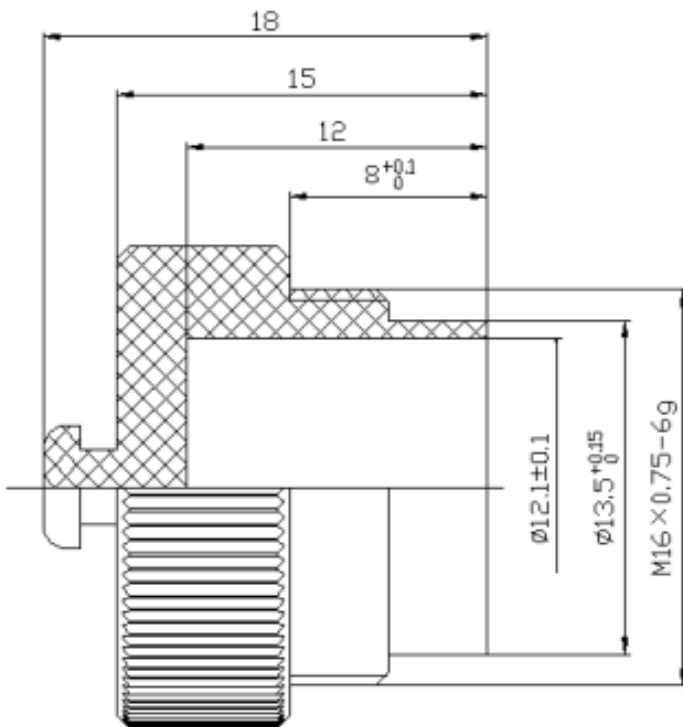
No	Category	Content	Remarks
1	Material	HPb59-1 Brass	mechanical
2	Treatment Process	Nickel plating	5um
3	Neutral Salt Spray	168 Hours	/

Seal Ring



No.	Category	Content	Remarks
1	Material	Silicone Rubber	/
2	Treatment Process	Injection Molding	/
3	Colour	Black	/

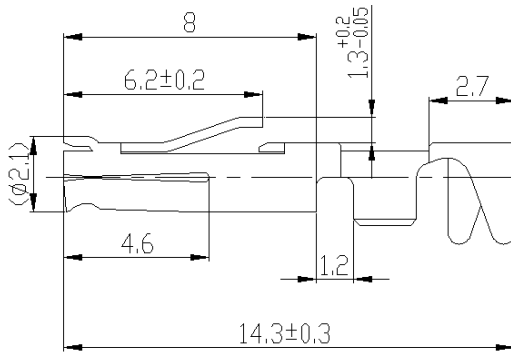
Dust cover



Tolerance ± 0.5 mm

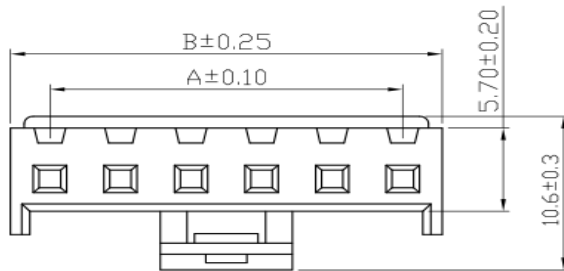
No.	Category	Content	Remarks
1	Material	PA66	UL94V-0
2	Treatment Process	Injection Molding	/
3	Colour	Black	/

Socket

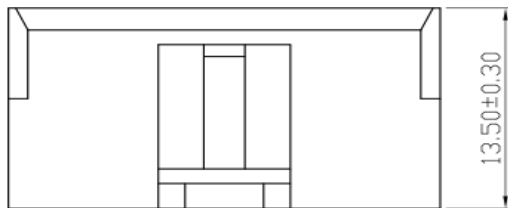


No.	Category	Content	Remarks
1	Material	Tin Bronze	mechanical
2	Treatment Process	Gold Plating	3u"
3	Neutral Salt Spray	96 Hours	

LYVH-3.96-5T



POLES	DIM A	DIM B
2	3.96	8.40
3	7.92	12.36
4	11.88	16.32
5	15.84	20.28
6	19.80	24.24
7	23.76	28.2
8	27.72	32.16
9	31.68	36.12
10	35.64	40.08



No.	Category	Content	Remarks
1	Material	PA66	UL94V-0
2	Treatment Process	Injection Molding	/
3	Colour	White	/

Packing

包装示意图

防尘盖和卡环单独包装



每箱装18盘，180条线，配锁紧螺母360个，公/母防尘帽各180个。



电缆采用吸塑盒包装，每盘装10根。



包装好的外箱，贴好条码标签
(包含: ERP\PM\型号)

Factory Address:

98 Industrial Area,Zhongxin Rd.,Xinqiao Street,Bao'an District, Shenzhen, China

Office Phone:8675527084976 Mobile:+8618938686395

Email:alicechu@szbede.com

Contact: Alice Chu



Shenzhen Bede Technology CO.,Ltd
